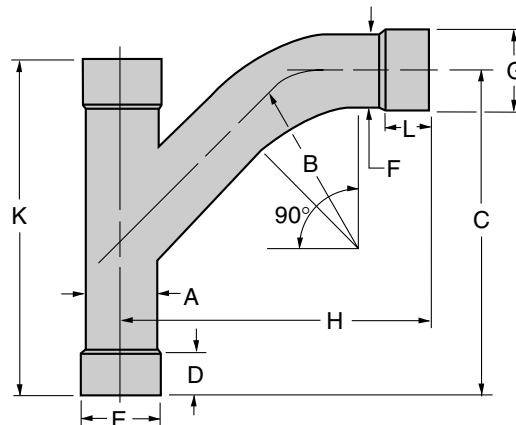


Morris Vacuum Products

Standard 90° TY's



Part No.	Size	A-o.d.	Gauge	B	C	D	E-i.d.	F-o.d.	Gauge	G-i.d.	H	K	L
MTY-2121	2 1/8"	2 1/8"	16	5"	9 5/32"	1 1/4"	2 1/8"	2 1/8"	16	2 1/8"	8 13/16"	9 1/2"	1 1/4"
MTY-2521	2 1/2" x 2 1/8"	2 1/2"	16	5"	9 11/32"	1 1/4"	2 1/2"	2 1/8"	16	2 1/8"	9"	10"	1 1/4"
MTY-2525	2 1/2"	2 1/2"	16	6"	10 1/2"	1 1/4"	2 1/2"	2 1/2"	16	2 1/2"	10 1/32"	10"	1 1/4"
MTY-3021	3" x 2 1/8"	3"	16	5"	9 19/32"	1 1/4"	3"	2 1/8"	16	2 1/8"	9 1/4"	10 1/2"	1 1/4"
MTY-3025	3" x 2 1/2"	3"	16	6"	10 3/4"	1 1/4"	3"	2 1/2"	16	2 1/2"	10 9/32"	10 1/2"	1 1/4"
MTY-3030	3"	3"	16	7 1/2"	12 3/8"	1 1/4"	3"	3"	16	3"	11 29/32"	11 1/2"	1 1/4"
MTY-3521	3 1/2" x 2 1/8"	3 1/2"	16	5"	9 27/32"	1 1/4"	3 1/2"	2 1/8"	16	2 1/8"	9 1/2"	11"	1 1/4"
MTY-3525	3 1/2" x 2 1/2"	3 1/2"	16	6"	11"	1 1/4"	3 1/2"	2 1/2"	16	2 1/2"	10 17/32"	11"	1 1/4"
MTY-3530	3 1/2" x 3"	3 1/2"	16	7 1/2"	12 5/8"	1 1/4"	3 1/2"	3"	16	3"	12 1/32"	13"	1 1/4"
MTY-3535	3 1/2"	3 1/2"	16	8 3/4"	14 1/8"	1 1/4"	3 1/2"	3 1/2"	16	3 1/2"	13 11/32"	13"	1 1/4"
MTY-4021	4" x 2 1/8"	4"	16	5"	10 3/32"	1 1/4"	4"	2 1/8"	16	2 1/8"	9 3/4"	12"	1 1/4"
MTY-4025	4" x 2 1/2"	4"	16	6"	11 1/4"	1 1/4"	4"	2 1/2"	16	2 1/2"	10 25/32"	12"	1 1/4"
MTY-4030	4" x 3"	4"	16	7 1/2"	12 7/8"	1 1/4"	4"	3"	16	3"	12 9/32"	12"	1 1/4"
MTY-4035	4" x 3 1/2"	4"	16	8 3/4"	14 3/8"	1 1/4"	4"	3 1/2"	16	3 1/2"	13 19/32"	14"	1 1/4"
MTY-4040	4"	4"	16	10"	15 7/8"	1 1/4"	4"	4"	16	4"	14 29/32"	14"	1 1/4"
MTY-5021	5" x 2 1/8"	5"	14	5"	10 19/32"	1 1/2"	5"	2 1/8"	16	2 1/8"	10 1/4"	13"	1 1/4"
MTY-5025	5" x 2 1/2"	5"	14	6"	11 3/4"	1 1/2"	5"	2 1/2"	16	2 1/2"	11 9/32"	13"	1 1/4"
MTY-5030	5" x 3"	5"	14	7 1/2"	13 3/8"	1 1/2"	5"	3"	16	3"	12 25/32"	15 1/2"	1 1/4"
MTY-5035	5" x 3 1/2"	5"	14	8 3/4"	14 7/8"	1 1/2"	5"	3 1/2"	16	3 1/2"	14 3/32"	15 1/2"	1 1/4"
MTY-5040	5" x 4"	5"	14	10"	16 3/8"	1 1/2"	5"	4"	16	4"	15 13/32"	15 1/2"	1 1/4"
MTY-5050	5"	5"	14	12 1/2"	19 3/8"	1 1/2"	5"	5"	14	5"	18 5/8"	18 1/2"	1 1/2"
MTY-6021	6" x 2 1/8"	6"	14	5"	11 3/32"	1 1/2"	6"	2 1/8"	16	2 1/8"	10 3/4"	15"	1 1/4"
MTY-6025	6" x 2 1/2"	6"	14	6"	12 1/4"	1 1/2"	6"	2 1/2"	16	2 1/2"	11 25/32"	15"	1 1/4"
MTY-6030	6" x 3"	6"	14	7 1/2"	13 3/8"	1 1/2"	6"	3"	16	3"	13 9/32"	15"	1 1/4"
MTY-6035	6" x 3 1/2"	6"	14	8 3/4"	15 3/8"	1 1/2"	6"	3 1/2"	16	3 1/2"	14 19/32"	17"	1 1/4"
MTY-6040	6" x 4"	6"	14	10"	16 7/8"	1 1/2"	6"	4"	16	4"	15 29/32"	17"	1 1/4"
MTY-6050	6" x 5"	6"	14	12 1/2"	19 7/8"	1 1/2"	6"	5"	14	5"	19 1/8"	21"	1 1/2"
MTY-6060	6"	6"	14	15"	22 7/8"	1 1/2"	6"	6"	14	6"	22 11/32"	21"	1 1/2"

WHEN ORDERING, SPECIFY TYPE OF MATERIAL:

Carbon Steel, Zinc Galv. Coated Steel, Stainless Steel, Aluminum

Bell or Straight Ends – 2 1/8" through 6". Straight ends only – 8" and up.

For Prices and Delivery

Call Toll Free: 1-800-426-1579

Toll-Free Fax: 1-800-545-1399

E-mail: sales@morriscoupling.com

internet: www.morriscoupling.com

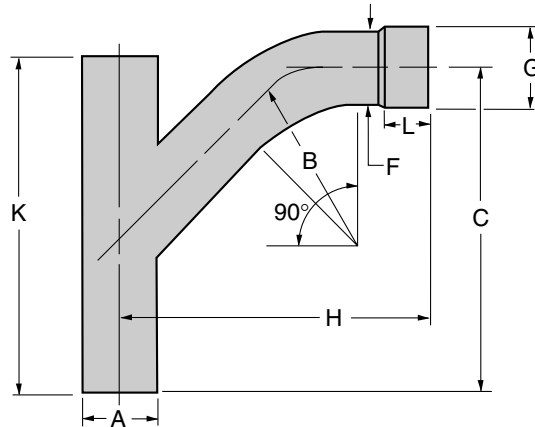
All dimensions are nominal.



2240 W. 15th St., Erie, PA 16505
Phone: 814-459-1741

Morris Vacuum Products

Standard 90° TY's *continued*



Part No.	Size	A-o.d.	Gauge	B	C	F-o.d.	Gauge	G-i.d.	H	K	L
MTY-8021	8" x 2 1/8"	8"	14	5"	12 3/32"	2 1/8"	16	2 1/8"	11 3/4"	18"	1 1/4"
MTY-8025	8" x 2 1/2"	8"	14	6"	13 1/4"	2 1/2"	16	2 1/2"	12 25/32"	18"	1 1/4"
MTY-8030	8" x 3"	8"	14	7 1/2"	14 7/8"	3"	16	3"	14 9/32"	18"	1 1/4"
MTY-8035	8" x 3 1/2"	8"	14	8 3/4"	16 3/8"	3 1/2"	16	3 1/2"	15 19/32"	21"	1 1/4"
MTY-8040	8" x 4"	8"	14	10"	17 7/8"	4"	16	4"	16 29/32"	21"	1 1/4"
MTY-8050	8" x 5"	8"	14	12 1/2"	20 7/8"	5"	14	5"	20 1/8"	24"	1 1/2"
MTY-8060	8" x 6"	8"	14	15"	23 7/8"	6"	14	6"	23 11/32"	24"	1 1/2"
MTY-8080	8"	8"	14	20"	29 7/8"	8"	14	—	29 17/32"	29"	—

MTY-9021	10" x 2 1/8"	10"	†	5"	13 3/32"	2 1/8"	16	2 1/8"	12 3/4"	21"	1 1/4"
MTY-9025	10" x 2 1/2"	10"	†	6"	14 1/4"	2 1/2"	16	2 1/2"	13 25/32"	21"	1 1/4"
MTY-9030	10" x 3"	10"	†	7 1/2"	15 7/8"	3"	16	3"	15 9/32"	21"	1 1/4"
MTY-9035	10" x 3 1/2"	10"	†	8 3/4"	17 3/8"	3 1/2"	16	3 1/2"	16 19/32"	24"	1 1/4"
MTY-9040	10" x 4"	10"	†	10"	18 7/8"	4"	16	4"	17 29/32"	24"	1 1/4"
MTY-9050	10" x 5"	10"	†	12 1/2"	21 7/8"	5"	14	5"	21 1/8"	24"	1 1/2"
MTY-9060	10" x 6"	10"	†	15"	24 7/8"	6"	14	6"	24 11/32"	28"	1 1/2"
MTY-9080	10" x 8"	10"	†	20"	30 7/8"	8"	14	—	30 17/32"	32"	—
MTY-9090	10"	10"	†	32"	40 3/8"	10"	12	—	42 25/32"	36"	—

MTY-9221	12" x 2 1/8"	12"	†	5"	14 3/32"	2 1/8"	16	2 1/8"	13 3/4"	24"	1 1/4"
MTY-9225	12" x 2 1/2"	12"	†	6"	15 1/4"	2 1/2"	16	2 1/2"	14 25/32"	24"	1 1/4"
MTY-9230	12" x 3"	12"	†	7 1/2"	16 7/8"	3"	16	3"	16 9/32"	24"	1 1/4"
MTY-9235	12" x 3 1/2"	12"	†	8 3/4"	18 3/8"	3 1/2"	16	3 1/2"	17 19/32"	27"	1 1/4"
MTY-9240	12" x 4"	12"	†	10"	19 7/8"	4"	16	4"	18 29/32"	27"	1 1/4"
MTY-9250	12" x 5"	12"	†	12 1/2"	22 7/8"	5"	14	5"	22 1/8"	27"	1 1/2"
MTY-9260	12" x 6"	12"	†	15"	25 7/8"	6"	14	6"	25 11/32"	31"	1 1/2"
MTY-9280	12" x 8"	12"	†	20"	31 7/8"	8"	14	—	31 17/32"	35"	—
MTY-9290	12" x 10"	12"	†	32"	41 3/8"	10"	12	—	43 25/32"	39"	—
MTY-9292	12"	12"	†	36**	46 7/8"	12"	12	—	49 1/8"	43"	—

WHEN ORDERING, SPECIFY TYPE OF MATERIAL:

Carbon Steel, Zinc Galv. Coated Steel, Stainless Steel, Aluminum

Bell or Straight Ends – 2 1/8" through 6". **Straight ends only** – 8" and up.

* Segmented (3-piece miter)

† Consult factory

For Prices and Delivery

Call Toll Free: 1-800-426-1579

Toll-Free Fax: 1-800-545-1399

E-mail: sales@morriscoupling.com

internet: www.morriscoupling.com

All dimensions are nominal.



2240 W. 15th St., Erie, PA 16505
Phone: 814-459-1741